

Standard PFCV (Isolation Inlet Balanced)

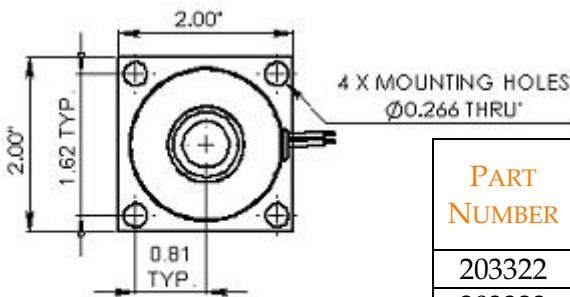
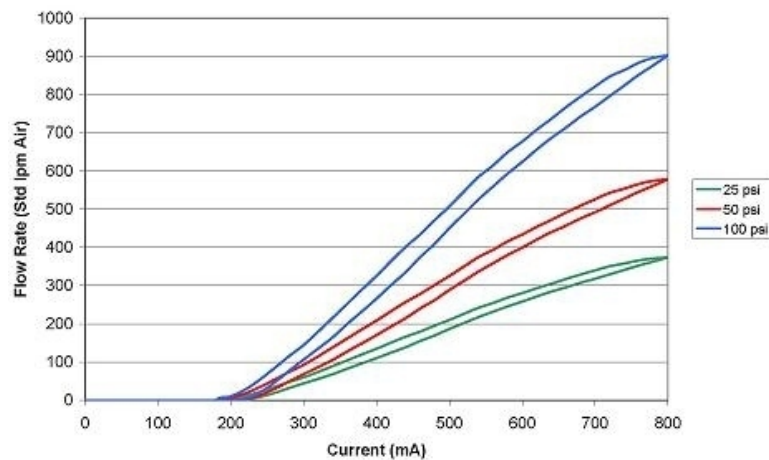
These are isolation inlet balanced proportional valves available in anodized aluminum and stainless steel. The main advantage of these valves is medium isolation. These valves are not outlet pressure balanced; however the diaphragm isolation on the inlet side of the valve offers isolation of the fluid or medium from the solenoid parts and offers a small internal volume. In addition, the isolation diaphragm offers pressure balancing on the inlet of the valve so the variations on the initial take off current of the valve due to inlet pressure variations are minimized. They are useful in applications where the outlet pressure doesn't exceed 30% of the inlet pressure. Signal Amplifiers are also available to control these valves using a 0 - 5V, 0 - 10V or 4 - 20 mA control signal.

General Performance Specification

Function:	2 Way Normally Closed
Orifice Size Range:	.147" to .625"
Hysteresis:	< 10%
Time Response:	< 35 msec
Pressure Range:	0 - 135 PSI
Temperature Range:	-40 to 250° F
Seal Material:	Nitrile, FKM
Fluid:	Gases & Liquids
Voltage Range:	6 to 24 volts
Lead Wires:	22 AWG 12" long
Weight - Al Base:	22 - 27 Oz.
Weight - SS Base:	30 Oz.

Typical Flow Characteristics

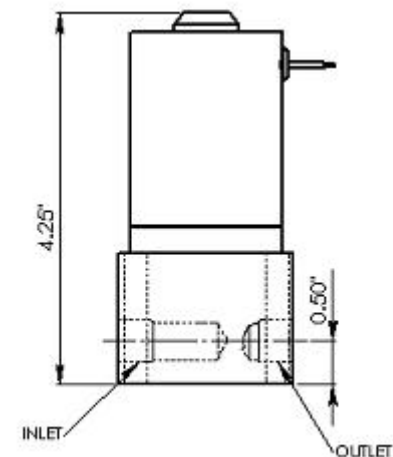
Std PFCV Isolation Inlet Balanced 0.375 12V

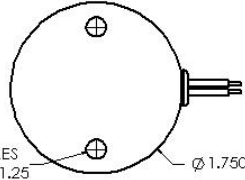


ANODIZED ALUMINUM BASE

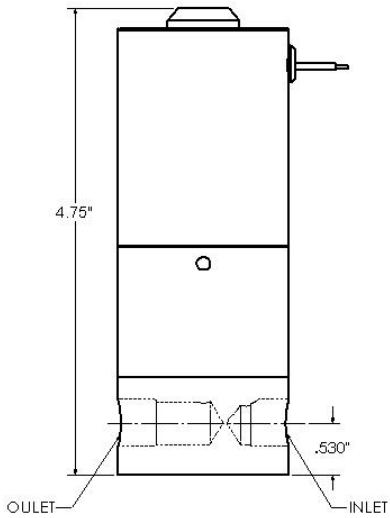
PART NUMBER	ORIFICE SIZE	VOLT	POWER WATTS	INLET NPT	OUTLET NPT	FLOW @ 100 PSI LPM	PRICE (EA)
203322	0.147	6	6.00	1/4	1/4	300	\$557.50
203323	0.234	6	6.00	1/4	1/4	500	\$557.50
203297	0.316	6	6.00	3/8	1/2	700	\$557.50
203298	0.375	6	6.00	3/8	1/2	900	\$557.50
203300	0.625	6	6.00	3/8	1/2	1300	\$836.25
202610	0.147	12	8.75	1/4	1/4	300	\$557.50
202616	0.234	12	8.75	1/4	1/4	500	\$557.50
202611	0.316	12	8.75	3/8	1/2	700	\$557.50
203306	0.375	12	8.75	3/8	1/2	900	\$557.50
203308	0.625	12	8.75	3/8	1/2	1300	\$836.25
202244	0.147	24	17.50	1/4	1/4	300	\$557.50
202618	0.234	24	17.50	1/4	1/4	500	\$557.50
202505	0.316	24	17.50	3/8	1/2	700	\$557.50
203314	0.375	24	17.50	3/8	1/2	900	\$557.50
203316	0.625	24	17.50	3/8	1/2	1300	\$836.25

Note : Wetted Material Al, Nitrile & 300 Series SS





STAINLESS STEEL BASE



PART NUMBER	ORIFICE SIZE	VOLT	POWER WATTS	INLET NPT	OUTLET NPT	FLOW @ 100 PSI LPM	PRICE (EA)
202612	0.147	12	8.75	1/4	1/4	300	\$1,115 .05
209126	0.234	12	8.75	1/4	1/4	500	\$1,115 .05
202613	0.316	12	8.75	3/8	3/8	700	\$1,115 .05
209128	0.375	12	8.75	3/8	3/8	900	\$1,115 .05
202614	0.147	24	17.50	1/4	1/4	300	\$1,115 .05
209127	0.234	24	17.50	1/4	1/4	500	\$1,115 .05
202615	0.316	24	17.50	3/8	3/8	700	\$1,115 .05
209129	0.375	24	17.50	3/8	3/8	900	\$1,115 .05

Note : Wetted Material FKM & 300 Series SS